

Technical data sheet



Product features

Fry-top griddle plate 80x51 electric chromed grooved on open cabinet 400 V

Model	SAP Code	00012425
--------------	-----------------	----------



- Top type: Grooved
- Griddle dimensions [mm x mm]: 800 x 510
- Griddle thickness [mm]: 12.00
- Worktop material: Chrome plated steel
- Container for liquid fat: Yes
- Independent heating zones: Separate control for each heating zone
- Maximum device temperature [°C]: 300
- Surface finish: polished chrome 0.03 mm
- Removable rim: Yes

SAP Code	00012425	Power electric [kW]	9.000
Net Width [mm]	800	Loading	400 V / 3N - 50 Hz
Net Depth [mm]	700	Griddle dimensions [mm x mm]	800 x 510
Net Height [mm]	900	Top type	Grooved
Net Weight [kg]	91.00		

Technical data sheet



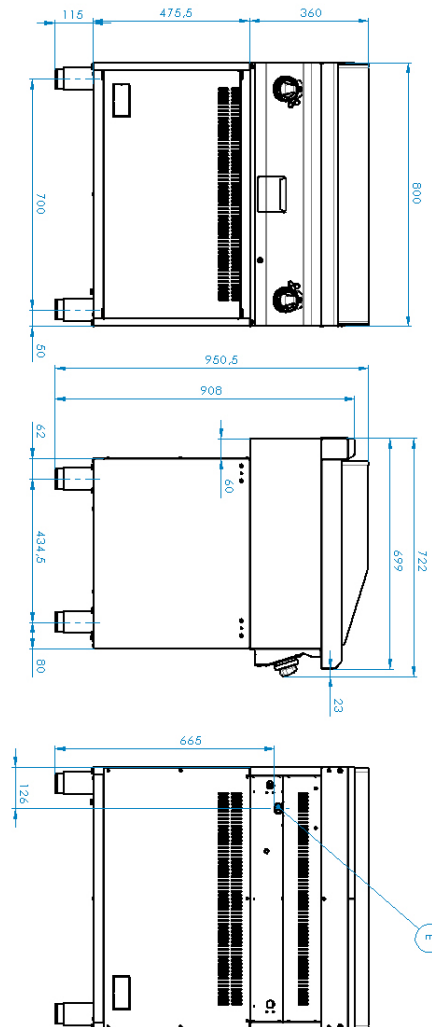
Technical drawing

Fry-top griddle plate 80x51 electric chromed grooved on open cabinet 400 V

Model

SAP Code

00012425



Technical data sheet



Product benefits

Fry-top griddle plate 80x51 electric chromed grooved on open cabinet 400 V

Model

SAP Code

00012425

1

All-stainless design

long life
corrosion resistance of the top plate material

- savings on service interventions
- easier and faster operation

2

Degree of protection of the control elements IPX4

maintenance-free system
resistance to splash water
long life

- savings on service interventions
- easy cleaning and maintenance of equipment

3

Outlet for waste liquids

ensures that oil drips into the socket

- easy maintenance
- easy cleaning

4

High detachable hem

better hygienic conditions
preventing grease from splashing onto ancillary equipment

- easy maintenance
- easy cleaning

5

Grooved plate made of chrome-plated steel

the product bakes less and is easier to clean
a good warming of the meat with a groove

- time-saving in food preparation
- easy preparation of good-looking food

Technical data sheet



Technical parameters

Fry-top griddle plate 80x51 electric chromed grooved on open cabinet 400 V

Model	SAP Code	00012425
--------------	-----------------	----------

1. SAP Code:

00012425

2. Net Width [mm]:

800

3. Net Depth [mm]:

700

4. Net Height [mm]:

900

5. Net Weight [kg]:

91.00

6. Gross Width [mm]:

840

7. Gross depth [mm]:

800

8. Gross Height [mm]:

975

9. Gross Weight [kg]:

95.00

10. Device type:

Electric unit

11. Construction type of device:

Stationary

12. Power electric [kW]:

9.000

13. Loading:

400 V / 3N - 50 Hz

14. Protection of controls:

IPX4

15. Material:

AISI 304 top plate, AISI 430 cladding

16. Indicators:

operation and warm-up

17. Worktop material:

Chrome plated steel

18. Worktop Thickness [mm]:

1.20

19. Surface finish:

polished chrome 0.03 mm

20. Maximum device temperature [°C]:

300

21. Minimum device temperature [°C]:

50

22. Service accessibility:

Trough the frontal panel

23. Safety thermostat:

Yes

24. Adjustable feet:

Yes

25. Griddle dimensions [mm x mm]:

800 x 510

26. Griddle thickness [mm]:

12.00

27. Container for liquid fat:

Yes

28. Independent heating zones:

Separate control for each heating zone

Technical data sheet



Technical parameters

Fry-top griddle plate 80x51 electric chromed grooved on open cabinet 400 V

Model

SAP Code

00012425

29. Removable rim:

Yes

31. Top type:

Grooved

30. Uniform heating:

Yes